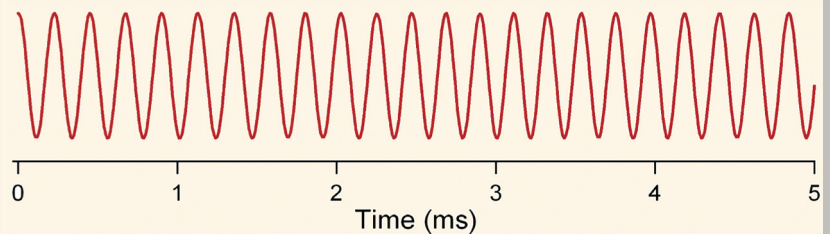
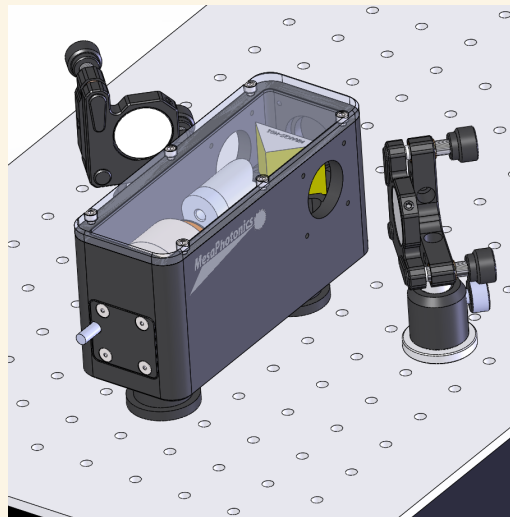


## Peregrine High Speed Optical Delay Line

### Specifications

- 1 cm travel
- 1 fs resolution
- 150 nm precision
- 200 nm short-term repeatability
- 50 ppm long-term repeatability
- No backlash
- Fiber compatible
- 15 mm beam spacing
- 15 mm aperture
- Analog & digital control
- Two 16-bit A/D's
- Digital triggering
- 1 kHz response
- USB control



Interferogram showing **Peregrine ODL** stability

### Applications

- Autocorrelation
- Pump-probe
- Interferometry

Acquire

Analyze

Improve